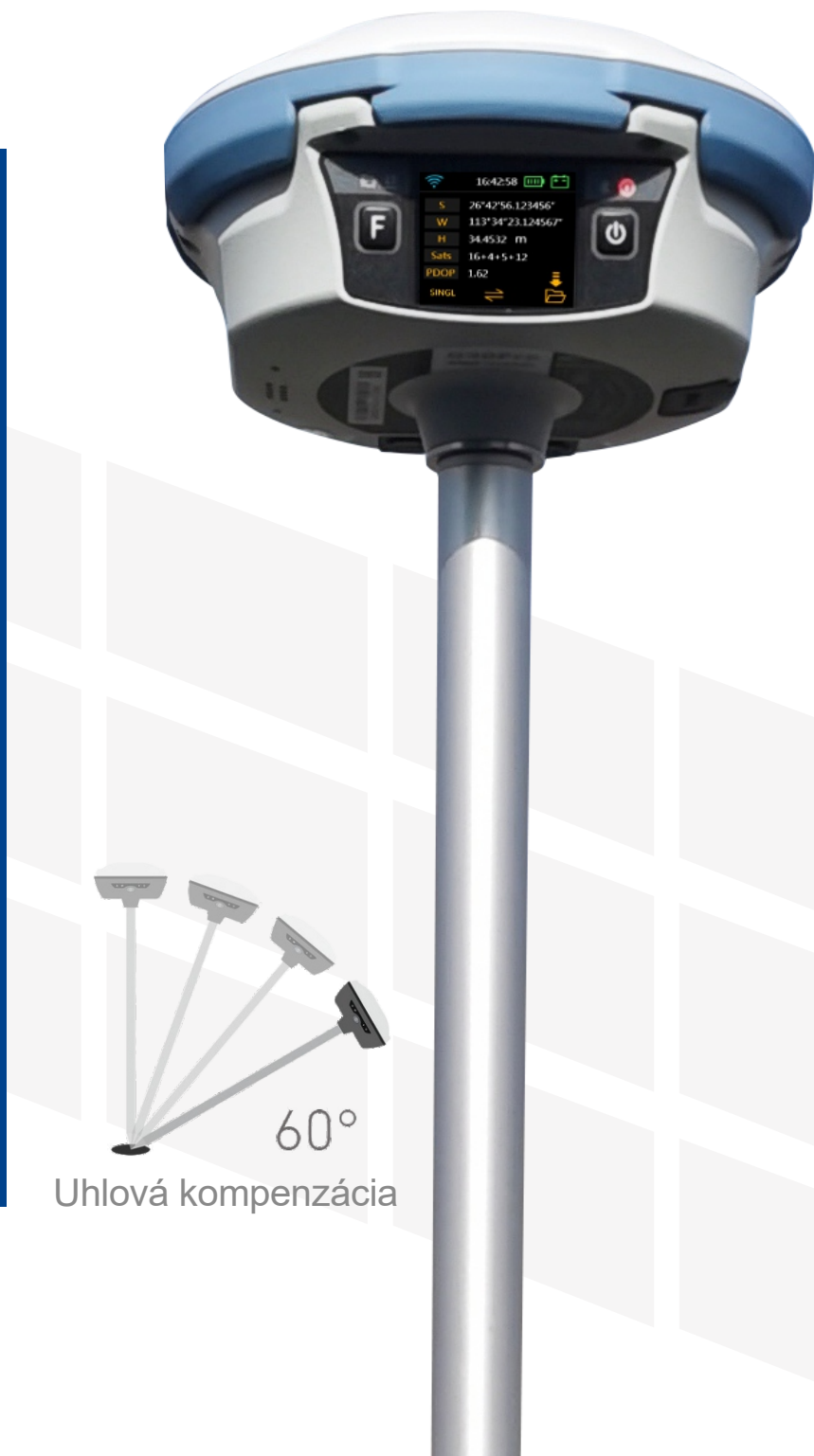


GINTEC G30 PRO

KLÚČOVÉ VLASTNOSTI

- ◆ Trojfrekvenčná doska prijímača BD990
- ◆ Integrované vstavané rádio, dosah 15KM
- ◆ Pracovný čas 16 hodín
- ◆ Meranie 5 min. vo FIX bez internetu
- ◆ 1.3-inch LCD Display
- ◆ IP68
- ◆ Podpora funkcie bázy a rovera
- ◆ Jednoduché ovládanie
- ◆ Webové rozhranie

Viac na
www.gintec.sk



GINTEC



GINTEC

SPECIFICATIONS

POSITIONING

Board Model	BD990
Channels	1598
BDS-2:	B1I,B2I,B3I
BDS-3:	B1I,B3I,B1C,B2a,B2b
GPS	L1, L1C,L2C,L5,L2P
GLONASS	G1,G2,G3
GALILEO	E1,E5A,E5B,E6C,AltBOC
SBAS	L1
QZSS	L1,L2C,L5
IRNSS	L5

ACCURACY

Static Accuracy H: $\pm (2.5 + 0.1 \times 10^{-6} D)$ mm
V: $\pm (5 + 0.4 \times 10^{-6} D)$ mm

RTK Accuracy H: $\pm (8 + 1 \times 10^{-6} D)$ mm
V: $\pm (15 + 1 \times 10^{-6} D)$ mm

IMU

IMU Update Rate 200HZ
Tilt Angle 0~60°
Accuracy 10mm + 0.7mm/°tilt(1.8m Pole)

SYSTEM

OS	Linux
Button	Function Button and Power Button
Screen	1.3-inch TFT LCD Display
Indicator	Satellite,Datalink,Bluetooth and Power Indicator
WebUI	Support WIFI hotspot and USB to visit WebUI to check receiver information, monitor receiver status and set receiver
Voice	Smart iVoice tech:broadcast receiver status and operation Support multiple language:English, Russia,Korean,Portuguese,Spanish and Turkish

DATA

Memory	8G internal storage
Transmission	USB,FTP,HTTP and etc.
Formate	Static format:STH,Rinex2.10, Rinex3.02 and so on Reference format:CMR,RTCM2.1, RTCM2.3,RTCM3.0,RTCM3.1,RTCM3.2 GPS output format:NMEA 0183, binary code Cors protocol:VRS,FKP,MAC,and support NTRIP

COMMUNICATION

I/O interface	5PIN LEMO:external power and Rs232 Type-C:PD3.0 protocol fast-charge and data transmission UHF Antenna Sim Card Slot
Internal UHF	Power:3W Working range \geq 15KM Frequency410-470MHZ Protocol:Farlink,Trim Talk450S, ZHD SOUTH,HUACE
4G Network	LET FDD:B1/B3/B5/B7/B8/B20 LET TDD:B38/B40/B41 WCDMA:B1/B5/B8 GSM:B3/B8
Bluetooth	BLE Bluetooth 4.0 Bluetooth 2.1+EDR standard Bluetooth 3.0,Bluetooth 4.2
NFC	Support
WIFI	802.11b/g/n standard

PHYSICAL

Dimensions	166.5*95.5mm(R*H)
Weight	1.3KG
Material	Magnesium aluminum alloy
Temperature	Work Temperature: -25 °C~+65 °C Stock Temperature: -40 °C~+80 °C
Humidity	100% Condensing
Waterproof/Dustproof	IP68
Shock and Vibration	Withstand 2.0m POLE drop
Input Voltage	6-28 V wide range voltage DC design and overvoltage protection
Battery	Internal battery 10,000mAh 7.4V
Battery Life	More than 16 hours long working time External battery/AC power supported



Data Collector H6

Android 8.1
5" HD screen
6GB RAM/64GB ROM
Full Keyboard
IP67



QMARK s.r.o.
Strojnícka 8, 821 05 Bratislava



www.gintec.sk



info@gintec.sk



GINTEC.SLOVAKIA



Mobile/Whatsapp
+421 918 193 228